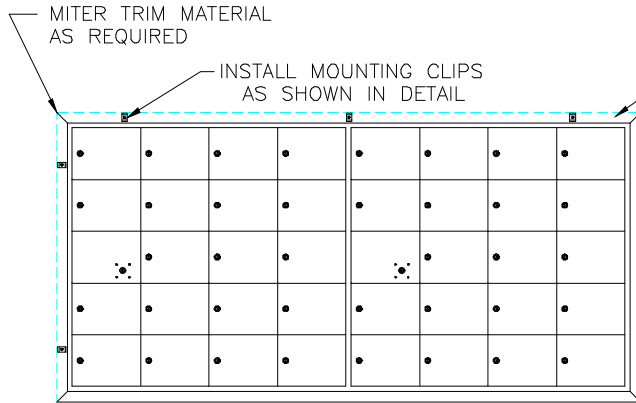
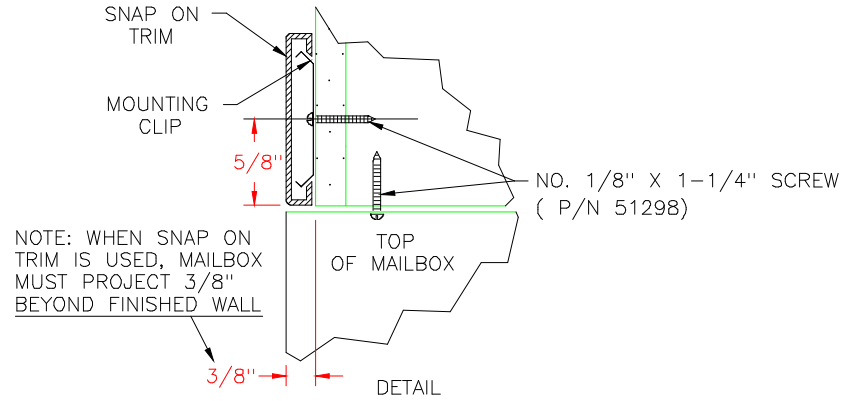


INSTALLATION OF OPTIONAL AUTH-FLORENCE SNAP ON TRIM

1400/1500, 1600/1700, 1450/1550 HORIZONTAL MAILBOXES)



1. SCREW MOUNTING CLIP TO WALL USING 1/8" X 1-1/4" SCREWS
2. HOOK ONE EDGE OF TRIM OVER LEG OF CLIP AND SNAP TRIM OVER SECOND LEG OF CLIP



AUTH AF FLORENCE
MANUFACTURING COMPANY
5935 CORPORATE DRIVE
MANHATTAN KANSAS 66503