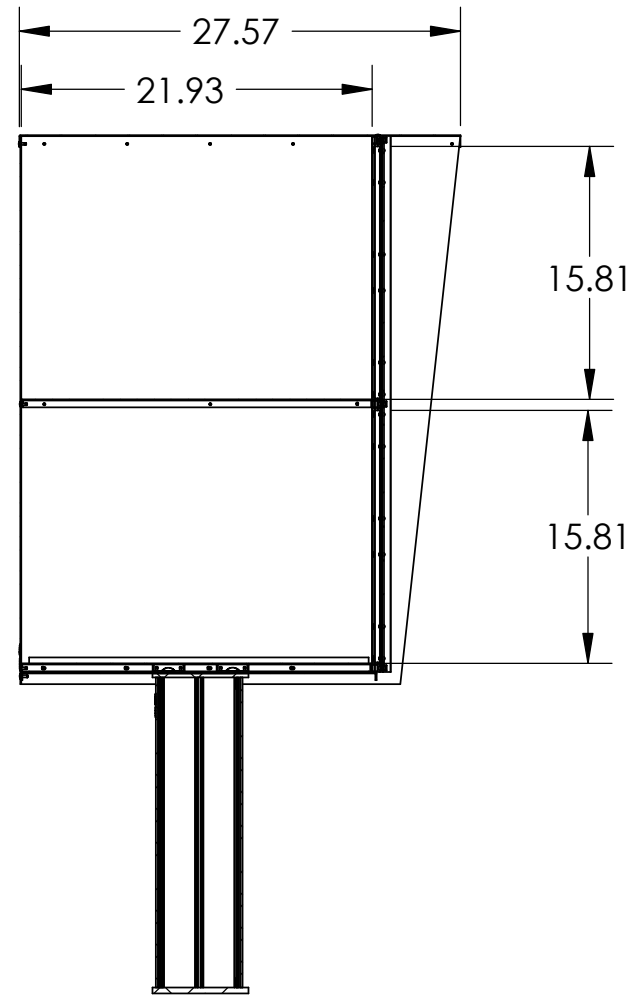
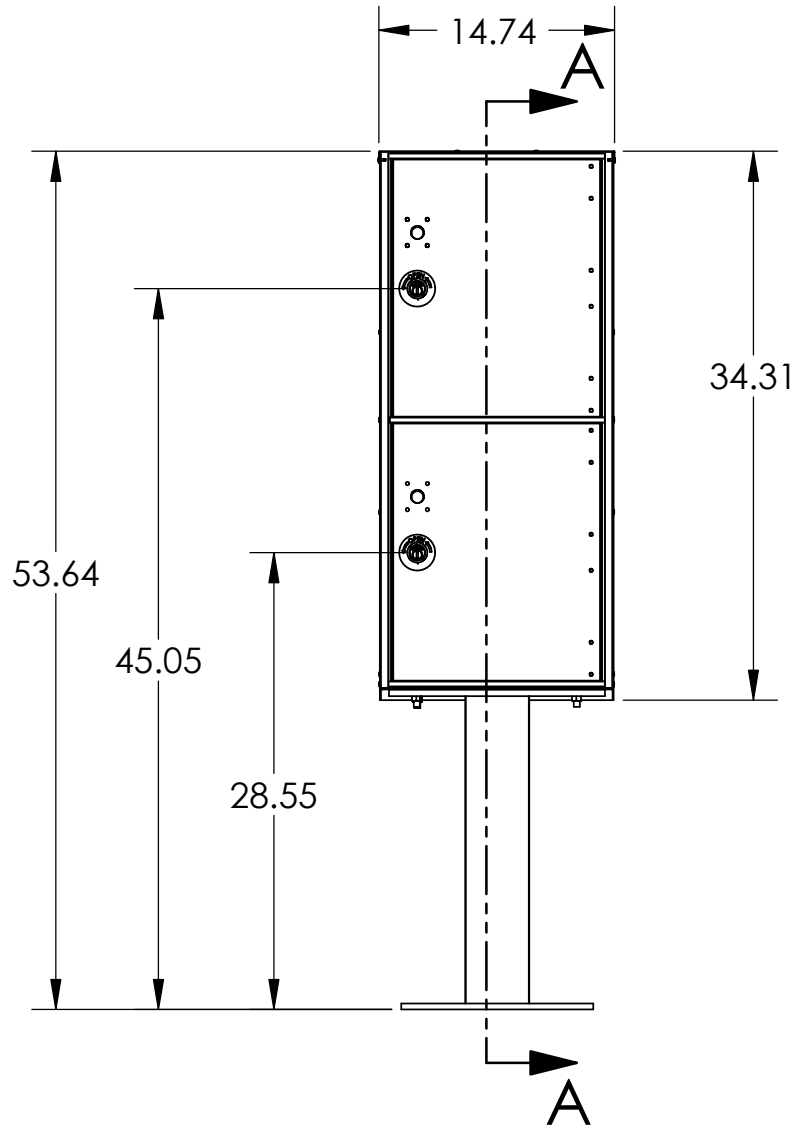


# 1590V2 OUTDOOR PARCEL LOCKER



SECTION A-A

## CS5760

**AUTH AF FLORENCE**  
A FLORENCE COMPANY  
5935 CORPORATE DRIVE  
MANHATTAN, KS 66503

THIS DRAWING IS THE SOLE PROPERTY OF AUTH-FLORENCE MANUFACTURING WHO CLAIMS PROPRIETARY RIGHTS IN THE MATERIAL DISCLOSED. IT IS ISSUED IN CONFIDENCE FOR ENGINEERING INFORMATION ONLY AND MAY NOT BE COPIED OR USED FOR INFORMATION OR MANUFACTURE OF ANYTHING SHOWN WITHOUT SPECIFIC PERMISSION FROM AUTH-FLORENCE MANUFACTURING.  
COPYRIGHT AUTH-FLORENCE 2004