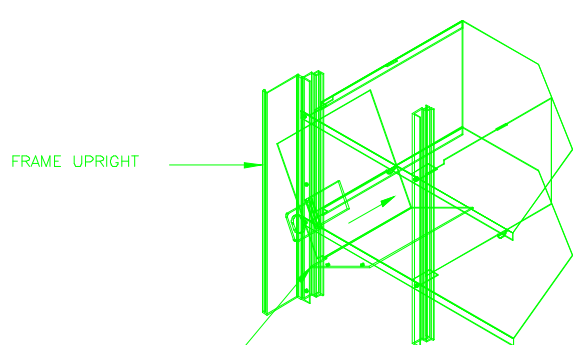
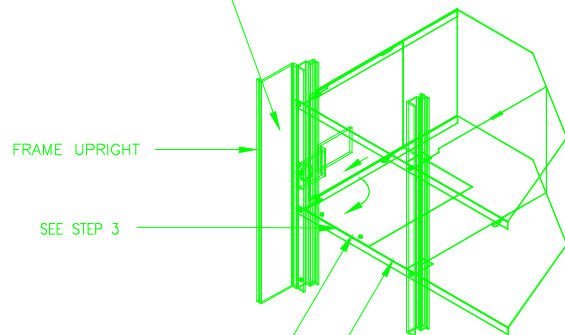


INSTALLATION INSTRUCTION FOR ARROW LOCK DOOR SECURITY KIT  
FOR AUTH-FLORENCE 1400 SERIES HORIZONTAL MAILBOX  
 (KIT #KL14700)  
 (INSERT INSTALLATION)



SEE STEP 2

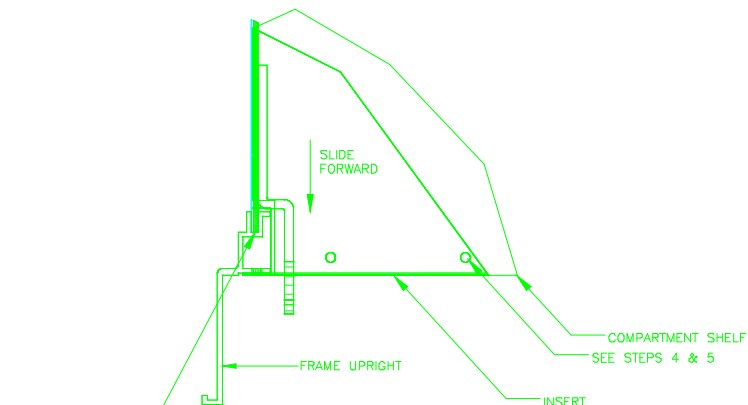
IMPORTANT!!!!!!!  
 MAKE SURE SIDE OF INSERT  
 SLIPS COMPLETELY INTO  
 FRAME UPRIGHT GROOVE



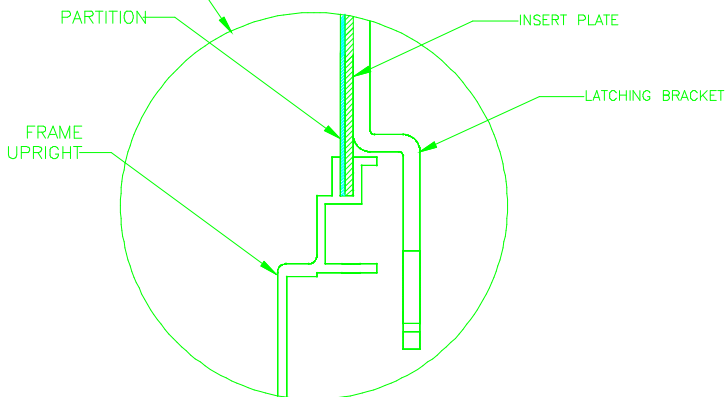
SEE STEP 3

INSERT  
 P/N 14710  
 COMPARTMENT SHELF

PARTIAL FRONT VIEW  
 LEFT HAND SIDE



TOP VIEW OF INSERT RESTING IN FINAL POSITION



INSERT INSTALLATION NOTES:

- (1) TO BEGIN, REMOVE EXISTING LATCHING BRACKET.
- (2) AT AN ANGLE, PLACE INSERT INTO THE MAILBOX COMPARTMENT (SEE ILLUSTRATION). AS THE INSERT IS PLACED INTO THE COMPARTMENT, ROTATE IT TO THE VERTICAL POSITION AND FLAT ONTO THE COMPARTMENT SHELF.
- (3) MOVE THE INSERT FORWARD AND TO THE LEFT (SEE ILLUSTRATION), MAKING SURE THAT THE FRONT EDGE OF THE INSERT IS EVEN WITH THE EDGE OF THE DIVIDER PLATE.
- (4) USING THE INSERT AS A TEMPLATE, DRILL (2) HOLES (#30 DRILL) THRU THE COMPARTMENT SHELF.
- (5) PLACE RIVETS (INCLUDED) FROM THE TOP INTO HOLES TO SECURE INSERT TO COMPARTMENT SHELF