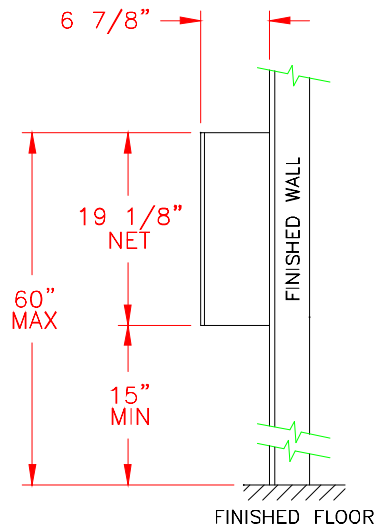
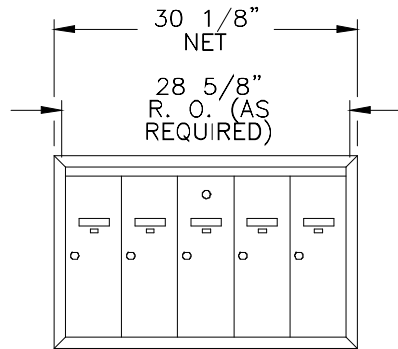
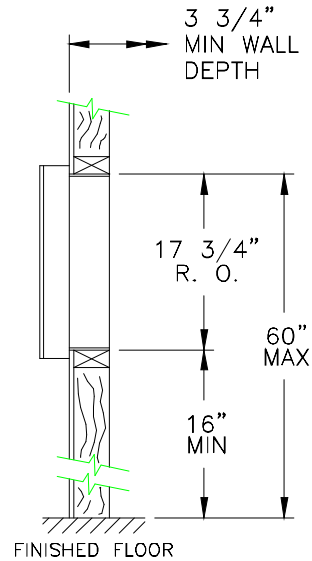


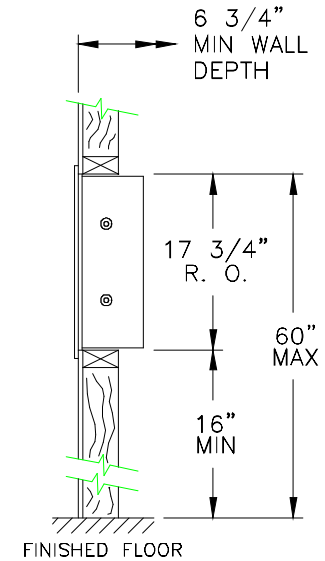
## 1250-5 VERTICAL STYLE MAILBOX



SURFACE  
MOUNT



SEMI-  
RECESSED



RECESSED  
MOUNT

**NOTES FOR U.S.P.S. APPROVED CONFIGURATION (AS SHOWN):**

1. (1) 1250-5 SERIES ALUMINUM CABINET WITH (4) STANDARD SIZE DOORS (16"H x 5 1/2"W), AND (1) STANDARD SIZE MASTER DOOR PREPARED FOR POSTAL MASTER LOCK.
2. FINISH: CLEAR ANODIZE OR GOLD ANODIZE
3. LOCKS: 5-PIN CYLINDER CAM TYPE WITH (2) KEYS EACH.
4. DOORS: TENANT NAME CARD HOLDER, ENGRAVING, OR BLACK-FILLED ENGRAVING ARE AVAILABLE.
5. MOUNTING: SURFACE MOUNT, SEMI-RECESSED MOUNT, OR RECESS MOUNT ARE APPROVED. SURFACE MOUNT REQUIRES COLLAR SM125-5; SEMI-RECESSED MOUNT REQUIRES COLLAR SR120-5; RECESSED MOUNT REQUIRES NO COLLAR.
6. UNIT WEIGHT: 28 POUNDS.

AVAILABLE, NON-U.S. POSTAL SERVICE APPROVED OPTIONS FOR PRIVATE USE (CONSULT FACTORY):

1. MASTER LOCK: PRIVATE MASTER LOCK.

AVAILABLE, U.S. POSTAL SERVICE APPROVED OPTIONS (CONSULT FACTORY):

1. DOORS: SIZES AND ARRANGEMENTS.
2. DIRECTORIES: INTEGRAL, AS REQUIRED.
3. PUSHBUTTONS: INTEGRAL DOORBELL PUSHBUTTONS.
4. DOUBLE ROW INSTALLATION: MAINTAIN MAX AND MIN INSTALLATION DIMENSIONS AS SHOWN ON CUT SHEET CS5048.

**AUTH *AF* FLORENCE**  
MANUFACTURING COMPANY  
5935 CORPORATE DRIVE  
MANHATTAN KANSAS 66503

CS5050

7/3/06